

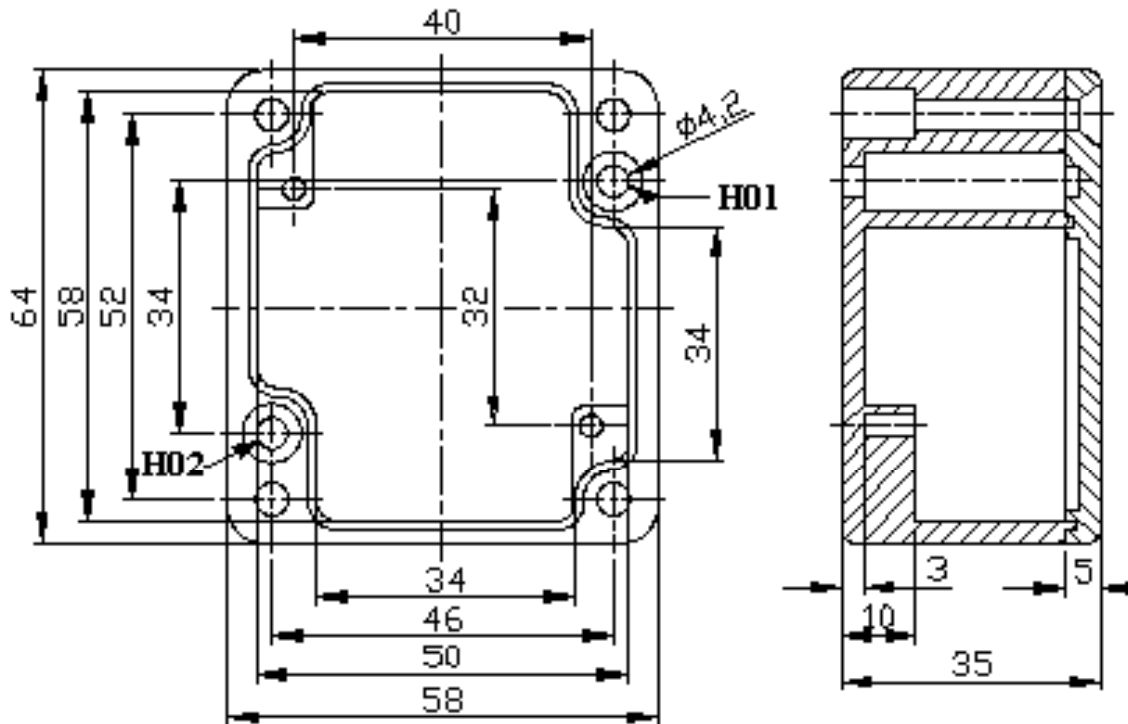
## GPS Cube Datalogger

### Physical dimensions

The following diagram shows the physical dimensions of the GPS Cube GPS datalogger and GPS tracking unit. When the GPS datalogger is shipped the holes designated as H01 and H02 contain a rubber stopper to maintain the IP65 rating of the unit. The rubber stoppers can easily be removed exposing the mounting holes that may be used for permanently mounting the unit or to allow fitting of a base-plate with larger magnets.

The four Neodymium rare-earth magnets installed in the unit provide sufficient holding strength for many applications, but if the surface is covered in large amounts of corrosion or high shock levels are expected fitting of larger magnets may be necessary. We are currently developing some alternative base-plates for fitting to the unit to suit a wide variety of applications.

### GPS Cube Physical Specifications



Note: All dimensions are shown in millimeters